

## DRY WAXING MACHINES HECO << A2-200 A2-225 A2-250 >>

The Dry Waxing Machines of the HECO-LINE have **completely changed the traditional wax melting methods** by introducing an innovative **direct dry heating system**, without using diathermic oil, water or any other liquids.

The essential key of this new system is the use of special electric heaters that are an integral part of the structural walls of the tanks, thus allowing a **direct, uniform heating**.

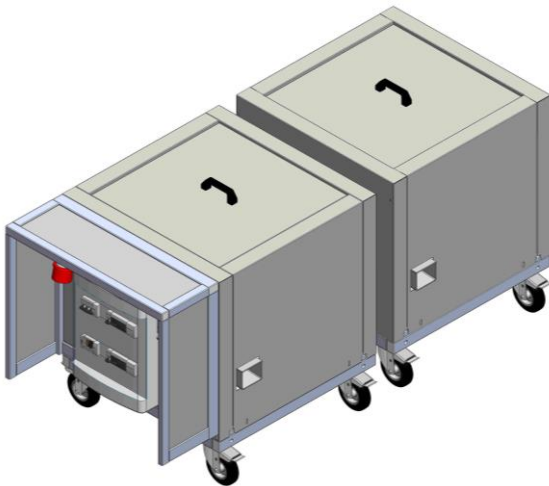
The introduction of this solution has overcome all the problems associated with traditional heating methods, such as harmful emissions, high energy consumption, long working times, unsafe procedures and high operating and maintenance costs.

The Dry Waxing Machines by **Zetaecotech** are designed and built with high quality raw materials, such as **stainless steel and aluminium** that guarantee great performances. Thanks to its high conductivity, aluminium allows a **uniform heating** of the tanks and **high thermal efficiency**, whereas stainless steel ensures reliability and **durability over time**.

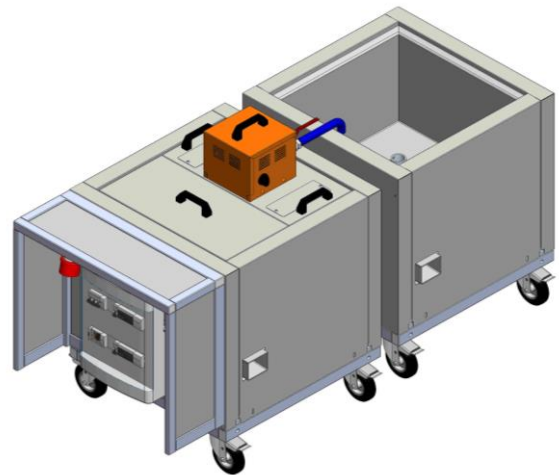
Our **HECO products**, well-known on the market since 1995, have been constantly developed and improved over the years, also thanks to the direct cooperation with the local nurserymen.

This has allowed us to build even more **performing and reliable equipment**, making them ideal for the melting of all kinds of wax used in different nursery sectors and especially in the *Barbatelle* or **grafted vines field**.

### AVAILABLE VERSIONS:



**A2-200**  
V22: Tanks R10\_1500/900

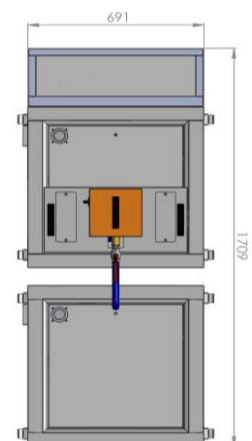
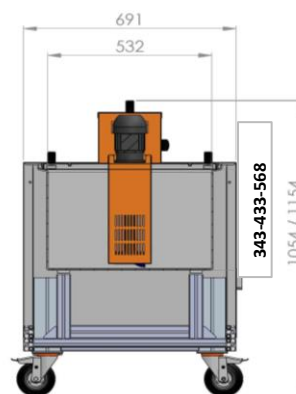
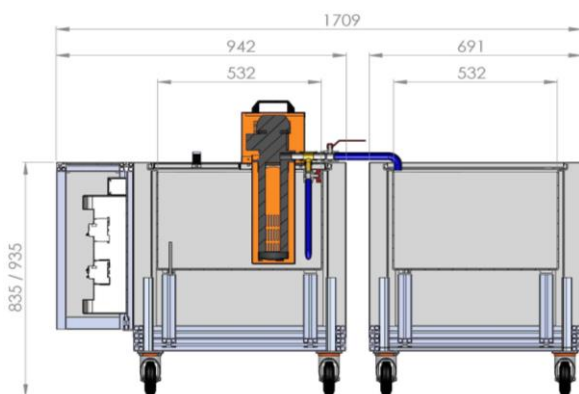


**A2-200**  
V22: Tanks R10\_1500/900

**A2-250**  
V22: Tanks R13\_1950/900  
+ Pump Group

### DIMENSIONS:

**N.B.** The following images show the dimensions of the A2-200 Waxing Machine  
For the other versions, only the depth of the 1st tank changes.



# DRY WAXING MACHINES:

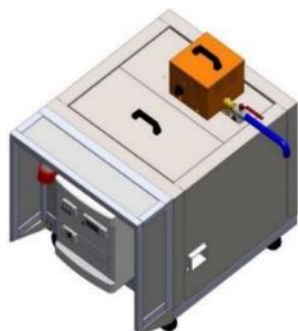
<< A2-200 >>

<< A2-225 >>

<< A2-250 >>

Latest Update: 01-09-2022

TECHNICAL FEATURES:		HECO A2-200 V22_R10_1500/900 _DOUBLE TANK	HECO A2-225 V22_R11_1800/900 _DOUBLE TANK	HECO A2-250 V22_R13_1950/900 _DOUBLE TANK
PRICE FOR YOUR ATTENTION:				
HEATING SYSTEM:	Direct dry heating system with special electric heaters, without the use of diathermic oil or water. Energy consumption reduced by 50%.			
1ST TANK CAPACITY:		95 Lt. / 86 Kg.	120 Lt. / 108 Kg.	150 Lt. / 142 Kg.
2ND TANK CAPACITY:		95 Lt. / 86 Kg.	95 Lt. / 86 Kg.	95 Lt. / 86 Kg.
TOTAL TANK CAPACITY:		190 Lt. / 172 Kg.	210 Lt. / 194 Kg.	245 Lt. / 228 Kg.
1ST TANK ELECTRICAL POWER:		1.500 W	1.800 W	1.950 W
2ND TANK ELECTRICAL POWER:		900 W	900 W	900 W
TOTAL ELECTRICAL POWER:		2.400 W	2.700 W	2.850 W
1ST TANK HEATERS CONFIGURATION:		R5_1500	R6_1800	R8_1950
2ND TANK HEATERS CONFIGURATION:		R5_900	R5_900	R5_900
POWER SUPPLY:	Single-Phase 230V 2P+T or Three-Phase 3P+ N+T 400 V, 50/60 Hz			
TEMPERATURE CONTROL:	Digital electronic temperature controllers with 2 thresholds and PTC 100 probes inside the tanks They allow temperature to remain constant with an accuracy range of $\pm 0.3^{\circ}\text{C}$ ( $\pm 0.5^{\circ}\text{F}$ ).			
1ST TANK DIMENSIONS:		L. 532 x W. 532 x H. 343 mm	L. 532 x W. 532 x H. 433 mm	L. 532 x W. 532 x H. 568 mm
2ND TANK DIMENSIONS:		L. 532 x W. 532 x H. 343 mm	L. 532 x W. 532 x H. 343 mm	L. 532 x W. 532 x H. 343 mm
TOTAL DIMENSIONS AND WEIGHT:	<b>HECO-200: Without Pump</b> L. (970+700) x W. 700 x H. 890 mm - Weight: 170 Kg. - <b>With Pump</b> L. (970+700) x W. 700 x H. 1.100 mm - Weight: 185 Kg. <b>HECO-225: Without Pump</b> L. (970+700) x W. 700 x H. 890 mm - Weight: 175 Kg. - <b>With Pump</b> L. (970+700) x W. 700 x H. 1.100 mm - Weight: 190 Kg. <b>HECO-250: Without Pump</b> L. (970+700) x W. 700 x H. 990 mm - Weight: 180 Kg. - <b>With Pump</b> L. (970+700) x W. 700 x H. 1.200 mm - Weight: 195 Kg.			
TANK: BUILDING MATERIALS	Aluminium thickness 40/10 mm.			
SUPPORTING FRAME: BUILDING MATERIALS	Profiled aluminium frame on pivoting wheels, with adjustable height			
COVER/INFILL WALLS: BUILDING MATERIALS	Stainless steel sheet with closed-cell polyurethane insulation - Thickness 20 mm			
INITIAL MELTING TIME:	7/8 hours for about 86-108-142 Kg of Wax			
MELTING CAPACITY PER HOUR:		10+6 Kg/h with Wax Temperature of 85°C	12+6 Kg/h with Wax Temperature of 85°C	14+6 Kg/h with Wax Temperature of 85°C
AVERAGE PRODUCTION CAPACITY: *Depending on the waxing phases:		3.000÷7.000 rooted vines/h	3.500÷7.500 rooted vines/h	4.000÷8.000 rooted vines/h
STANDARD EQUIPMENT:	No. 2 Digital Temperature Controllers (for 1st and 2nd Tank) Pump Power Supply Kit			
OPTIONAL:	GP18-50 Agitation and Transfer Pump Group Digital Timer			
TECHNICAL LEGISLATIONS:	Built in compliance with <b>European Machinery Directive - EC certified</b>			



ELECTROZETA S.R.L.

Via Kechler,12 - 33095 - San Giorgio della Richinvelda - (PN)

VAT Number 01125950939

Tel. 0427.96090 - e-mail: [info@electrozeta.it](mailto:info@electrozeta.it) - [commerciale@electrozeta.it](mailto:commerciale@electrozeta.it) - PEC: [electrozeta@legalmail.it](mailto:electrozeta@legalmail.it) - [www.zetaecotech.it](http://www.zetaecotech.it)

HECO-A2\_200-225-250